

PTS125 Series 12 mm Tact Switches



Features/Benefits

- **Stable control feeling**
- **Thru-hole or vertical actuation**
- **160 or 260 grams actuation force**
- **RoHS compliant and compatible**

Typical Applications

- **Consumer products**
- **Instrumentation**
- **Computer products**
- **Industrial**

Specification

FUNCTION: Momentary action
CONTACT ARRANGEMENT: SPST, N.O.
TERMINALS: PC pins

Mechanical

ACTUATION FORCE: PTS125M models: 160 grams.
PTS125 K models: 260 grams.
LIFE EXPECTANCY: 200,000 operations, M option;
100,500 operations, K option.

Electrical

CONTACT RATING: 50 mA @ 12 V DC.0
DIELECTRIC STRENGTH: 250 V AC min.
CONTACT RESISTANCE: 100 mΩ max. initial.
INSULATION RESISTANCE: 10¹¹ Ω min.

NOTE: Specifications listed above are for switches with standard options.
For information on specific and custom switches, consult Customer Service Center.

Environmental

OPERATING TEMPERATURE: -40°C to 60°C

Process

SOLDERING: Preheating to 100°C for 45 sec. max. Keep flux flush with top surface of PCB; do not apply to component side of PCB and area where terminals are located. Soldering to 255°C for 5 sec. max. Clean by brushing on solder surface. Do not clean switch with solvents.

Materials

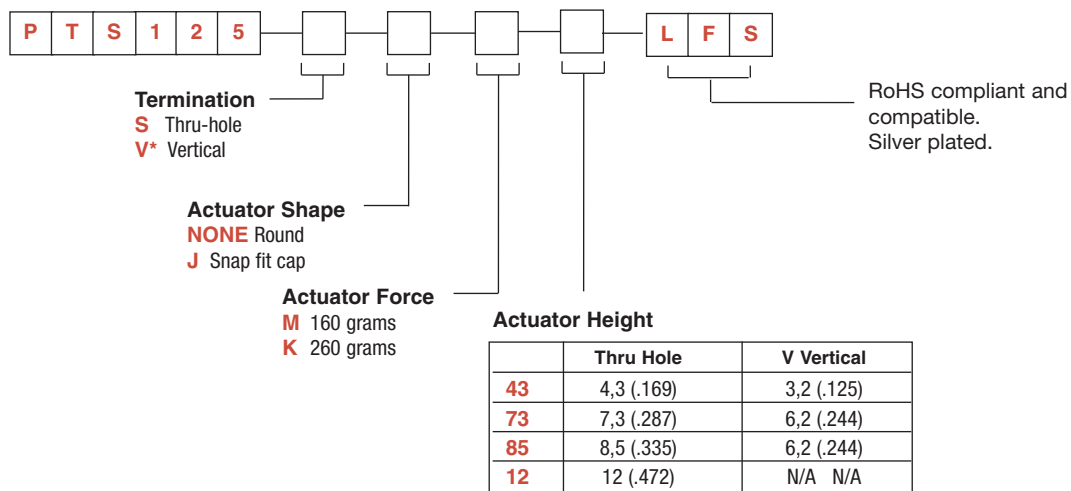
BASE: 6/6 nylon or glass filled polyester (PBT) (UL 94V-0).
ACTUATOR: PBT (UL94V0) or polyacetal (UL 94HB).
COVER PLATE: Tin alloy.
DOME CONTACTS: Phosphor bronze, silver clad.
STATIONARY CONTACTS: Brass, silver plated.
TERMINALS: Brass, silver plated. Insert molded.

Packaging

Tube packaging.

How To Order

Our easy build-a-switch concept allows you to mix and match options to create the switch you need. To order, select desired option from each category and place it in the appropriate box.



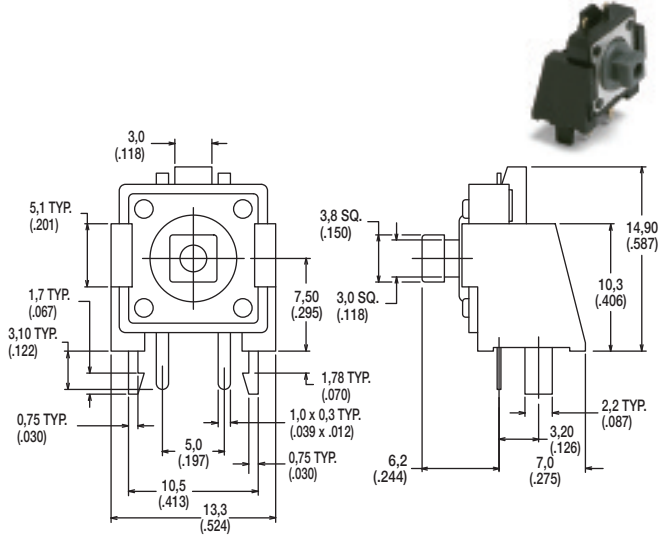
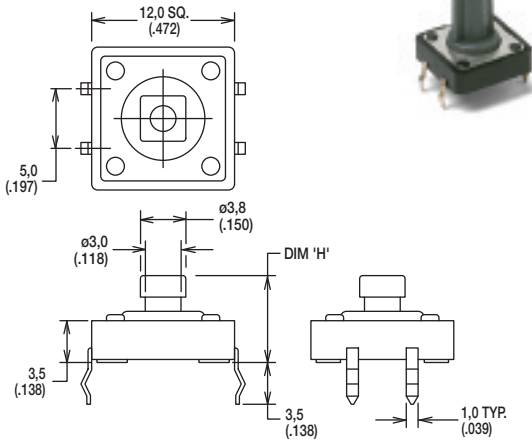
* V option available with J73 actuator only.

PTS125 Series 12 mm Tact Switches

SERIES

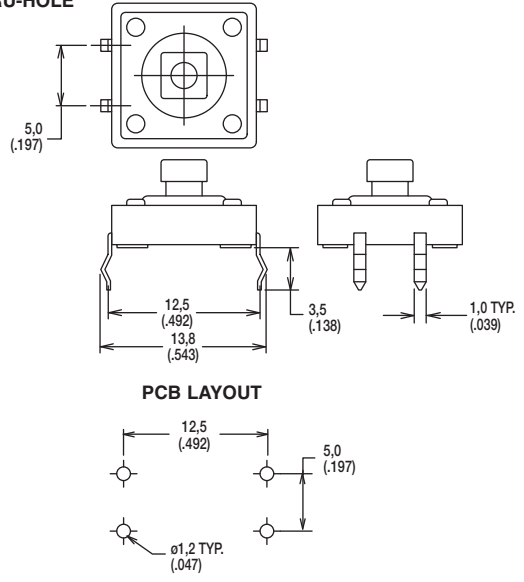
Tactile Switches

B

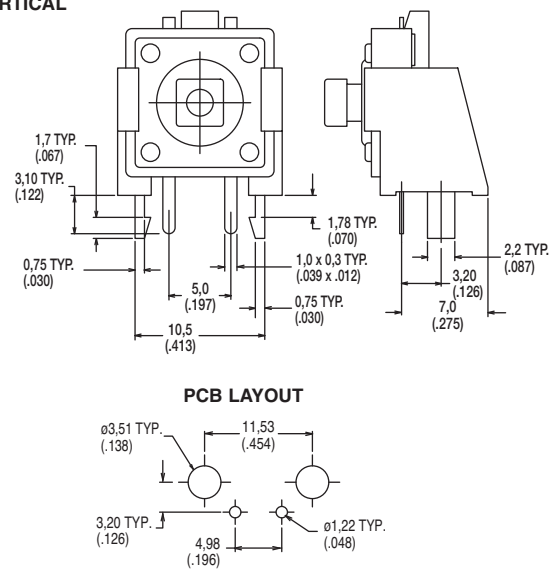


TERMINATION

S THRU-HOLE



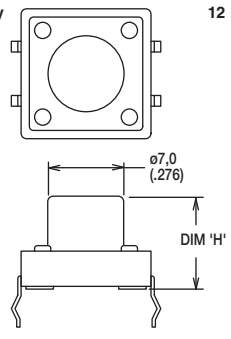
V VERTICAL



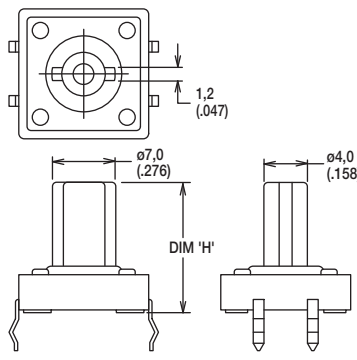
ACTUATOR SHAPE

NONE ROUND

43 and 85 heights only

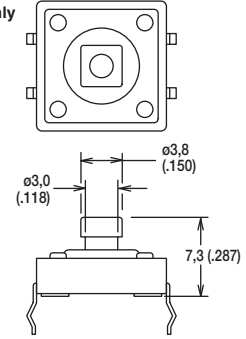


12 height only



J SNAP-FIT CAP

73 height only



First Angle Projection

Dimensions shown in: mm (inch)
Specifications and dimensions subject to change



ACTUATION FORCE

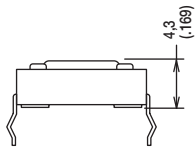


OPTION CODE	FORCE
M	160 grams
K	260 grams

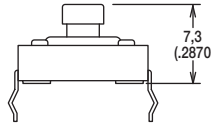
ACTUATOR HEIGHT



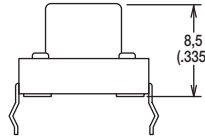
43 4,3 mm



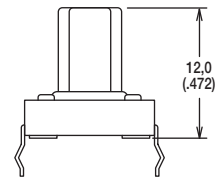
73 7,3 mm SNAP-FIT



85 8,5 mm



12 12 mm



B

Tactile Switches